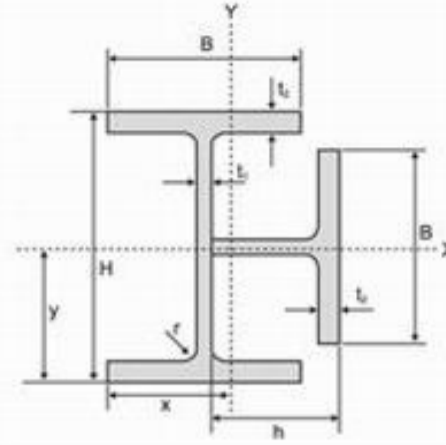
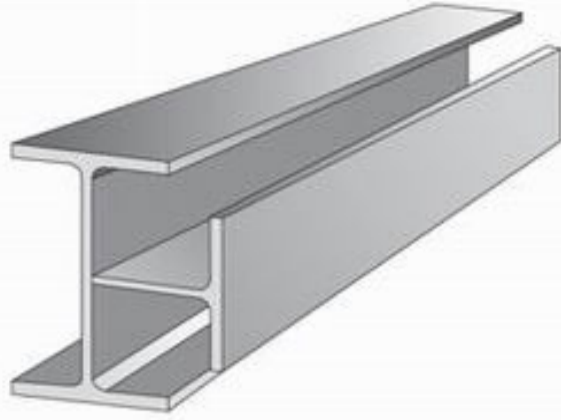


**QUEEN CROSS**



**Regular Size**

Sectional Index	Standard Sectional Dimension					Sectional Area A	Unit Weight	Informative Reference							
	Depth Of Section H	Width Of Section B	Thickness		Corner Radius r			Center Of Gravity y	Geometrical Moment Of Inertia		Radius Of Gyration Of Area		Modulus Of Section		
			Web t <sub>1</sub>	Flange t <sub>2</sub>					I <sub>x</sub>	I <sub>y</sub>	i <sub>x</sub>	i <sub>y</sub>	Z <sub>x</sub>	Z <sub>y</sub>	
mm	mm	mm	mm	mm	mm	cm <sup>2</sup>	kg/m	mm	cm <sup>4</sup>	cm <sup>4</sup>	cm	cm	cm <sup>3</sup>	cm <sup>3</sup>	
Q 150x75	150	75	5.0	7	8	26.78	21.0	57.3	691	310	5.08	3.40	92.1	53.99	
Q 200x100	200	100	5.8	8	11	40.74	32.0	76.6	1,907	848	6.84	4.56	190.7	110.72	
Q 198x99	198	99	4.5	7	11	34.77	27.3	76.1	1,637	722	6.86	4.56	165.3	94.86	
Q 250x125	250	125	6	9	12	56.49	44.4	95.9	4,197	1,844	8.62	5.71	335.8	192.34	
Q 248x124	248	124	5	8	12	49.02	38.5	95.4	3,670	1,599	8.65	5.71	296.0	167.62	
Q 300x150	300	150	6.5	9	13	70.17	55.1	114.7	7,464	3,260	10.31	6.82	497.6	284.16	
Q 298x149	298	149	5.5	8	13	61.20	48.1	114.2	6,545	2,842	10.34	6.81	439.3	248.76	
Q 350x175	350	175	7	11	14	94.71	74.4	134.5	14,092	6,096	12.20	8.02	805.3	453.30	
Q 346x174	346	174	6	9	14	79.02	62.1	133.3	11,496	4,978	12.07	7.94	664.5	373.37	
Q 400x200	400	200	8	13	13	126.18	99.1	153.9	24,570	10,661	13.95	9.19	1,228.4	692.27	
Q 396x199	396	199	7	11	16	108.24	85.0	152.8	20,725	8,984	13.84	9.11	1,047.2	588.07	
Q 450x200	450	200	9	14	18	145.14	114.0	159.3	34,436	14,572	15.40	10.02	1,530.5	914.48	
Q 500x200	500	200	10	16	20	171.30	134.5	165.2	48,871	20,386	16.89	10.91	1,954.8	1,234.37	
Q 600x200	600	200	11	11	22	201.60	158.3	175.7	78,739	32,097	19.76	12.62	2,624.6	1,826.74	
Q 588x300	588	300	13	20	28	288.75	226.7	229.7	122,509	53,713	20.60	13.64	4,167.0	2,338.03	
Q 700x300	700	300	13	24	28	353.25	277.4	243.7	206,406	86,629	24.17	15.66	5,897.1	3,555.30	
Q 800x300	800	300	14	26	28	401.10	315.0	255.1	297,859	121,518	27.25	17.41	7,446.3	4,763.91	

- NOTE:**
- $h=H/2$ =height of T-Beam.
  - Tolerance,  $h=\pm 2$ mm.
  - Material specification refer to Wide Flange Shape.
  - Welded specification as per AWS E - 6013.
  - Q 700x300 and Q 800x300 are import product.